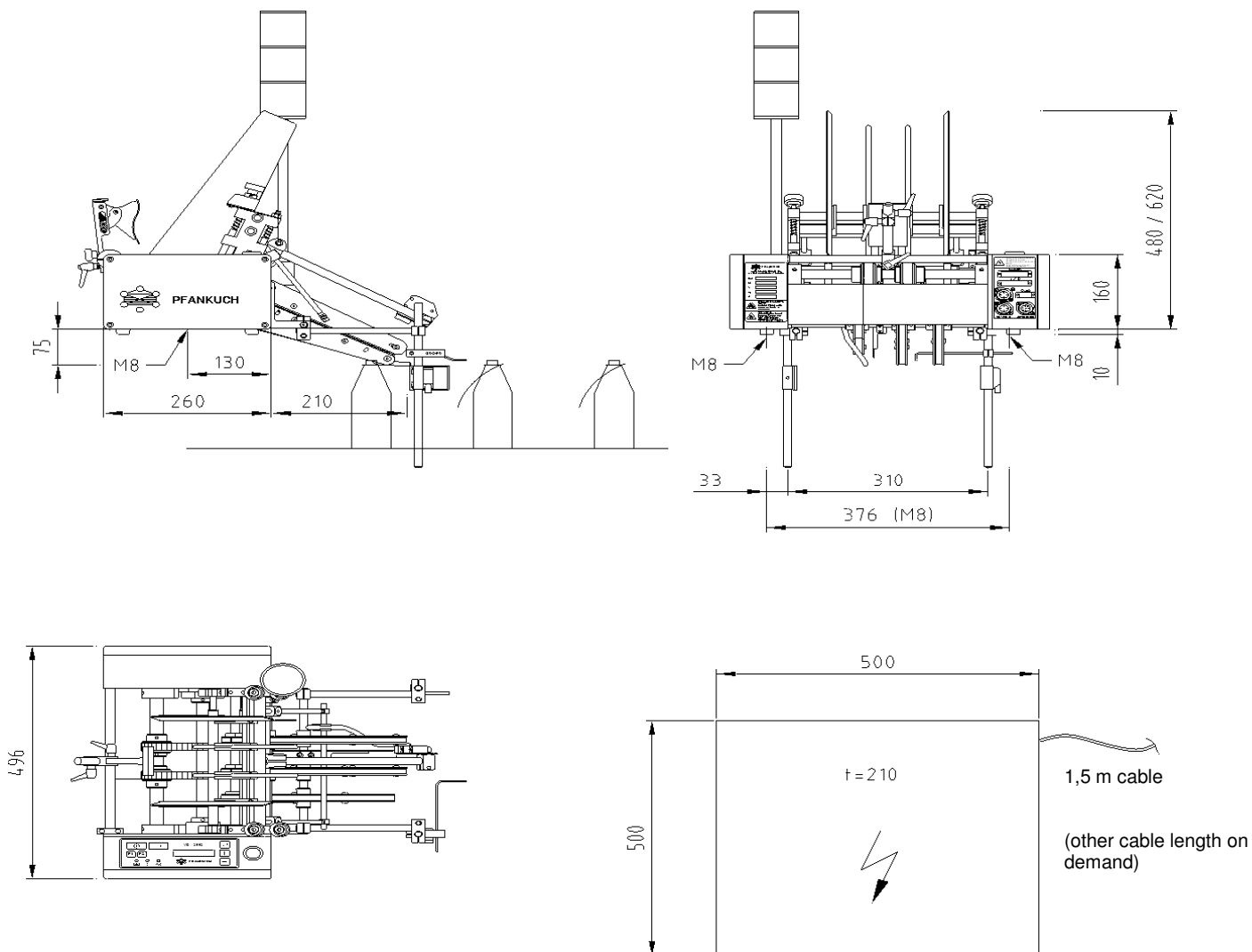


Technical Data Bottleneck Applicator (BNA)



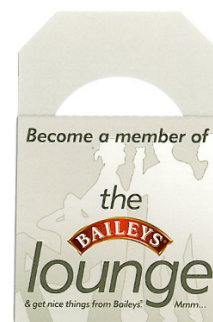
standard hanger



folded hanger



Leporello folded Booklet hanger



Voltage supply : 400V/3PH/N/PE, 50-60Hz, 1kW (other supplies on demand)



PFANKUCH MASCHINEN GMBH
 Kurt-Fischer-Str. 23b
 D – 22926 Ahrensburg
 Tel. +49 (0) 4102-4781-0
 Fax +49 (0) 4102-4781-80
 www.pfankuch-maschinen.com
 info@pfankuch-maschinen.com